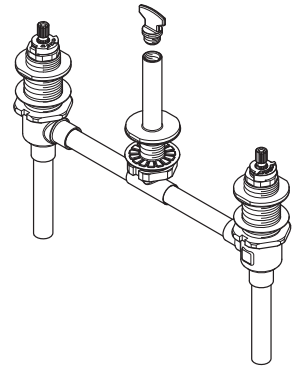


## Pfirst Series™ Roman Tub Valve

OX6-050R Finish(XX)   
JX6-050R Finish(XX)



### Specifications

#### Features

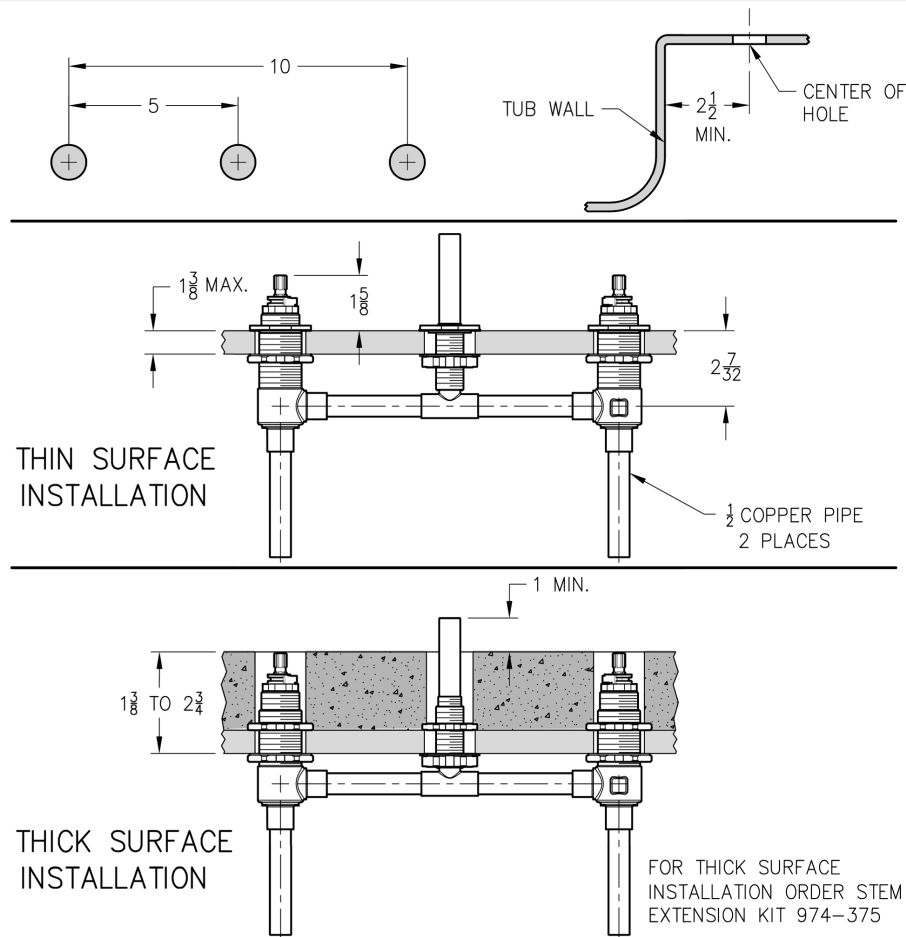
- Valve Only
- Fixed Underbody
- 1/2" Copper Sweat Connections
- 3-Hole Installation
- Job Pack of 6 (JX6 Only)
- 10" Fixed Body
- Includes Inlet Line Test Plug
- Reversible Hot or Cold Valves
- Pforever Seal Ceramic Disc Valves
- Pforever Warranty®

#### Code Compliance

Pfister products are designed and manufactured in compliance with the following standards and codes:

- IAPMO Certified
- CSA B125 Certified
- ASME A112.18.1

### Dimensions



Min. Hole Size- $\varnothing$ 1-1/4 DIA Valve Centerline to Finished Wall- $\varnothing$ 2-1/2 Min.